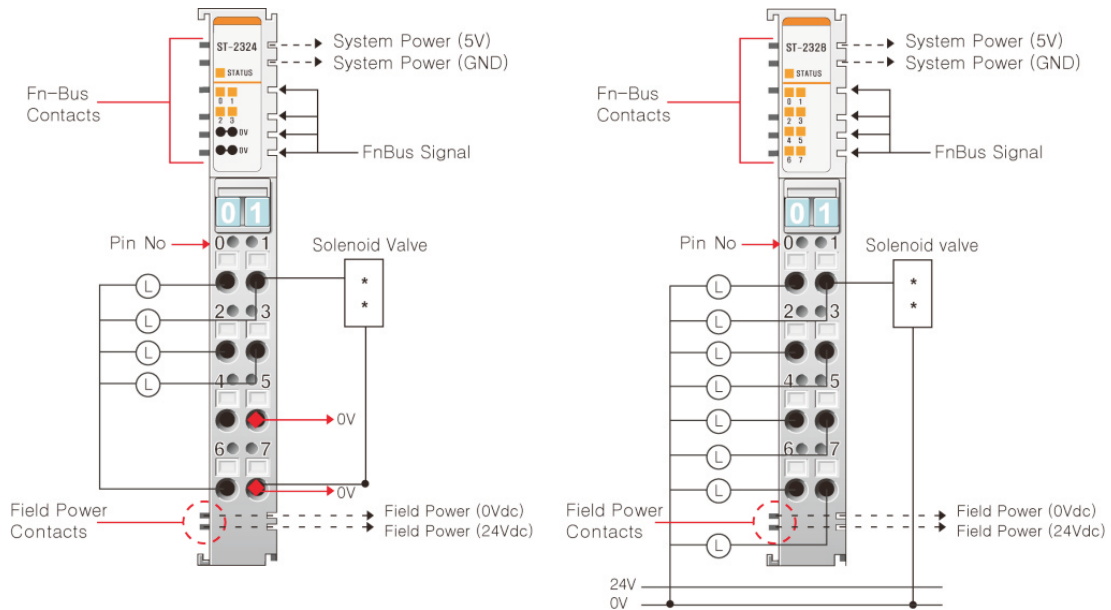


ST-2324, ST-2328

24Vdc/0.5A, 4/8 Points, Source(Positive), Terminal



Item	ST-2324	ST-2328
Output Specification		
Outputs Per Module	4 Points Source type(Positive Logic)	8 Points Source Type(Positive Logic)
Indicators	4 Green Output States, 1 Green/Red Fn-Bus State	8 Green Output States, 1 Green/Red Fn-Bus State
Output Voltage Range	24Vdc nominal, Min. 11Vdc ~ Max. 28.8Vdc	
ON-State Voltage Drop	Max. 0.3Vdc@25°C	
ON-State Min. Current	1mA Per Channel	
OFF-State Leakage Current	Max. 50uA	
Output Signal Delay	OFF to ON : Max. 0.3ms ON to OFF : Max. 0.3ms	
Output Current Rating	Max. 0.5A Per Channel Max. 2.0A All Common	Max. 0.5A Per Channel Max. 4.0A All Common
Output Protection (VNQ810-E)	Over Temperature Shut Down : Min. 150°C Over Current Limit : Min. 3.5A/Max. 7.5A Per Channel Short Circuit Protection ESD Protection : 5Kv	
Common Type	4 Points / 4 COM (Single Common)	8 Points / External Common
General Specification		
Power Dissipation	Max. 45mA @5.0Vdc	Max. 60mA @5.0Vdc
Isolation	I/O to Logic : Photocoupler Isolation	
Field Power	Supply Voltage : 24Vdc nominal Voltage Range : 11~28.8 Vdc Power Dissipation : 5mA@28.8Vdc / Channel	
Wiring	I/O Cable Max. 2.0mm(AWG 14)	
Weight	70g	
Module Size	12mm x 99mm x 70mm	
Environment Condition	Refer to " Environment Specification"(page : 1-191)	
Pin No.	Description	Description
0	Output Channel 0	Output Channel 0
1	Output Channel 1	Output Channel 1
2	Output Channel 2	Output Channel 2
3	Output Channel 3	Output Channel 3
4	Field Power (0V)	Output Channel 4
5	Field Power (0V)	Output Channel 5
6	Field Power (0V)	Output Channel 6
7	Field Power (0V)	Output Channel 7
-	-	-
-	-	-
-	-	-
-	-	-
-	-	-
-	-	-
-	-	-
-	-	-
-	-	-